



PRODUCT SPECIFICATION

ER4200



Devanture Technologies
(S) Pte. Ltd.

Product Introduction



4G Cat.4

WiFi6

Fast Network

Small Size

Industrial Grade

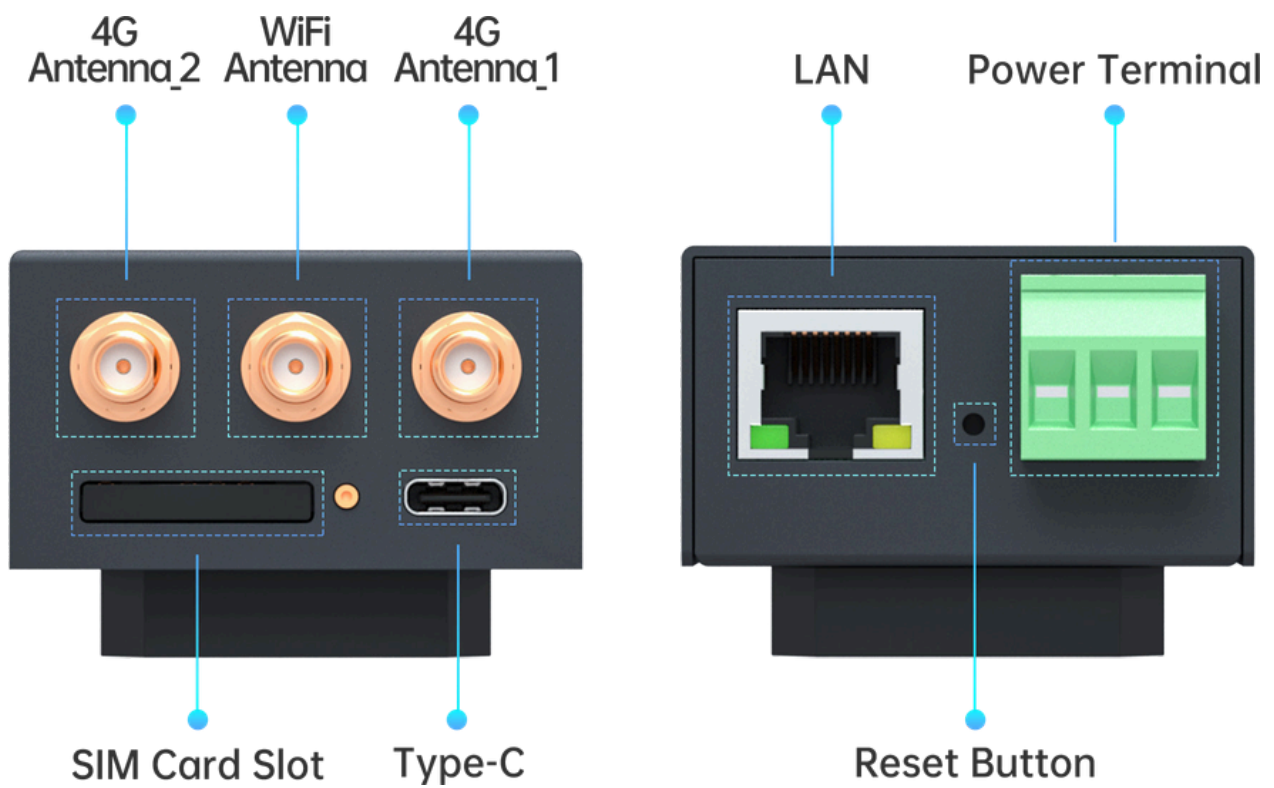
As the flagship series of industrial networking of IOTROUTER, ER series is designed to create an efficient communication base for [Industry 4.0](#) and [IoT](#) scenarios. Based on the layout of 5G technology, newly added [4G Cat.4](#) industrial router provides [flexible](#) and [reliable](#) connection solutions for the intelligent transformation of traditional industries with [high cost performance](#) and [wide network compatibility](#).

As a full-scenario popular product of the ER series, ER4200 achieves [150Mbps](#) high-speed networking through dual-channel 4G aggregation transmission technology, and cooperates with the new generation of [WiFi6](#) standard wireless coverage capabilities to provide [stable](#) and [efficient](#) network support for industrial IoT, environmental monitoring, mobile inspection and other scenarios. Its [industrial-grade protection design](#) and [palm-sized structure](#) can not only withstand extreme temperature difference shocks, but also can be flexibly deployed in various small spaces, significantly improving the all-weather connection reliability of industrial equipment in complex environments.

Product Specification

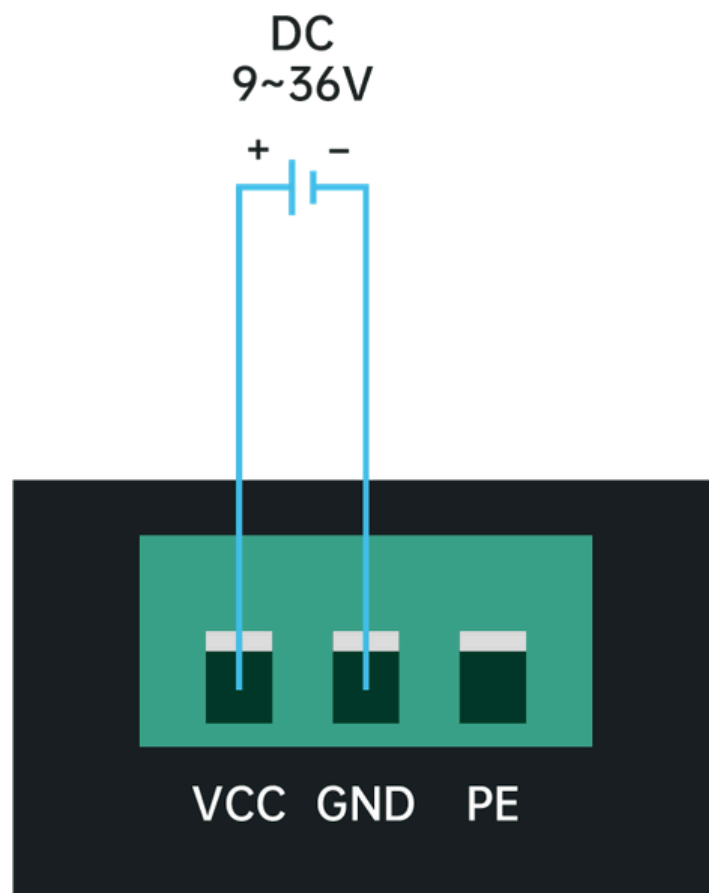
Model		ER4200
Communication module	4G LTE Band	B1/B3/B5/B8/B34/B38/B39/B40/B41
	WCDMA Band	B1/B5/B8
	Theoretical Speed	DL: 150 Mbps / UL: 130 Mbps
WIFI	Wireless Standards	IEEE802.11b/g/n/ax
	WIFI Standard	WIFI6
	Wireless Frequency	2.4 GHz
	Theoretical Speed	100 Mbps
	WiFi Mode	AP
Ethernet	LAN	1 * 10M/100M Self-Adaptive
Other Interfaces	SIM Card	1
	Modular Antenna	2
	WIFI Antenna	1
Electrical Parameters	Authentication	CE
	Adapter	12V/2A
	Operating Voltage	DC 9~36V
	Operating Current	100mA/12V
Environmental Parameters	Operating Temperature	-40~80°C
	Storage Temperature	-40~80°C
	Operating Humidity	5%~95% (No Condensation)
	Store Humidity	5%~95% (No Condensation)
Mechanical Parameters	Size	83*50*28mm
	Housing Material	Galvanized Steel
	Installation	Guide Rail
	Heat Dissipation	Passive Cooling
	REST Button	Press and Hold for 10s to Reset
EMC	Electrostatic Discharge	Air Discharge level3 ±8KV Contact Discharge level2 ±4KV
	Surge	level2 ±1KV
	Burst (EFT)	level2 ±1KV

Wiring Instruction



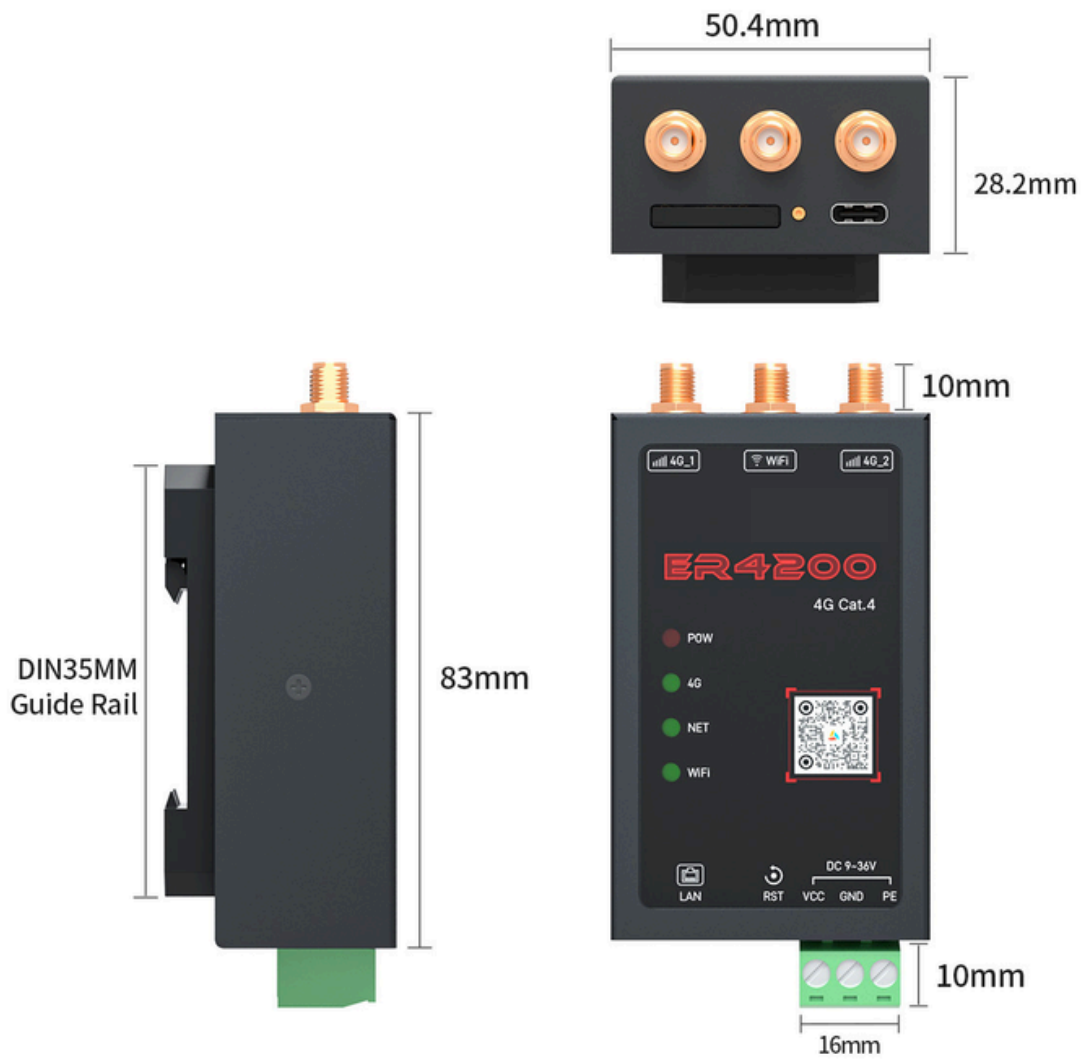
ER4200 Interface Identification

Wiring Instruction



ER4200 Power Wiring Diagram

Installation Instruction



Product Size

A LEADING PROVIDER OF INTEGRATED IT AND OT PRODUCTS

Address :

170 Bishan St. 13, #03-69 Block 170, Singapore
570170

Website :

www.devanture.com.sg

Mail

kawshol@devanture.com.sg

