



PRODUCT SPECIFICATION

ER5000



Devanture Technologies
(S) Pte. Ltd.

Product Introduction



5G Network

Dual Band WiFi6

Full GE Port

Multi-interface

Remote O&M

Industrial Grade

The ER series, as the flagship series of industrial networking devices carefully crafted by Chengdu IOTRouter, is designed to meet the stringent requirements of efficient, stable, and secure communication in the **Industry 4.0** and **Internet of Things (IoT) era**. This series focuses on comprehensive industrial router solutions for **5G** and **high-performance** industrial network switch, aiming to provide **seamless** and **high-speed** industrial network communication platforms for enterprise level users.

As a cutting-edge product of the ER series, 5G industrial router fully utilize the **ultra-high speed** and **ultra-low latency characteristics** of 5th generation mobile communication technology, providing strong supports for industrial application scenarios such as intelligent manufacturing, remote monitoring, and autonomous driving. Whether it is **real-time** data transmission or **sufficient** bandwidth, it can ensure **efficient operation** of the production process and **instant response** of intelligent decision-making.

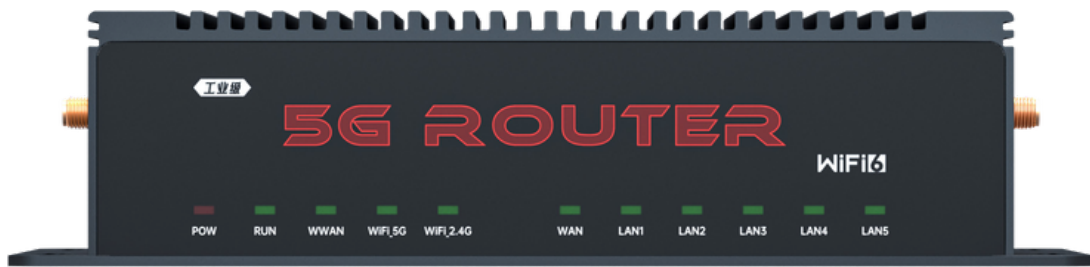
Product Specification

Model		ER5000
Communication module	5G NR Band	n1/n28/n41/n77/n78/n79
	4G LTE Band	B1/B2/B3/B5/B7/B8/B20/B28/B34/B38/B39/B40/B41
	WCDMA Band	B1/B2/B5/B8
	Theoretical Speed	DL: 2.2 Gbps / UL: 1 Gbps
WIFI	Wireless Standards	IEEE802.11a/b/g/n/ac/ax
	WIFI Standard	WIFI6
	Wireless Frequency	5 GHz/2.4 GHz
	Theoretical Speed	3000 Mbps
	WiFi Mode	AP
Ethernet	WAN	1 * 10M/100M/1000M Self-Adaptive
	LAN	5 * 10M/100M/1000M Self-Adaptive
RS485	Number of Interfaces	1-way
	Terminals	A、 B
	Baud Rate	2400~115200bps
	Data Bits	7、 8
	Stop Bits	1、 2
	Check Digit	NONE (No Check Digit) EVEN (Even Check) ODD (Odd Check)
	Protection	Anti-static, Anti-surge
DO	Number of Interfaces	1-way
	Terminals	(NO、 COM) *1
	AC Capacity	250V 5A
	DC Capacity	30V 5A
	Mechanical Durability	10^6
	Appliance Durability	10^5

Product Specification

DI	Number of Interfaces	1-way
	Terminals	DI*1、COM*1
	Detection Range	Dry Contact/NPN/PNP: Support 12V/24V
	Impedance	2K
	Protection	Optocoupler Isolation, Anti-static, Anti-surge
Other Interfaces	SIM Card	1
	Modular Antenna	4
	WIFI Antenna	6
Electrical Parameters	Authentication	CE
	Adapter	12V/2A
	Operating Voltage	DC 9~36V
	Operating Current	500mA/12V
Environmental Parameters	Operating Temperature	-40~80°C
	Storage Temperature	-40~80°C
	Operating Humidity	5%~95% (No Condensation)
	Store Humidity	5%~95% (No Condensation)
Mechanical Parameters	Size	200*122*47mm
	Housing Material	Galvanized Steel
	Installation	Wall Mounted / Flat Placement
	Heat Dissipation	Passive Cooling
	REST Button	Press and Hold for 10s to Reset
EMC	Electrostatic Discharge	Air Discharge level3 ±8KV Contact Discharge level2 ±4KV
	Surge	level2 ±1KV
	Burst (EFT)	level2 ±1KV

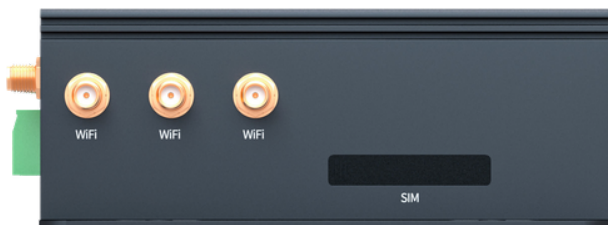
Wiring Instruction



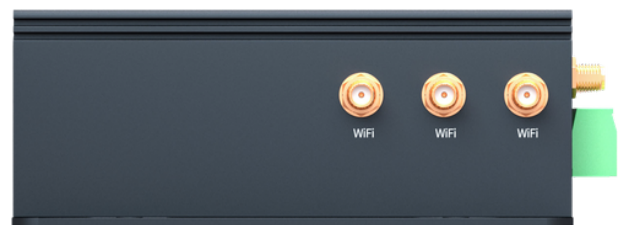
ER5000 Interface Identification-1



ER5000 Interface Identification-2

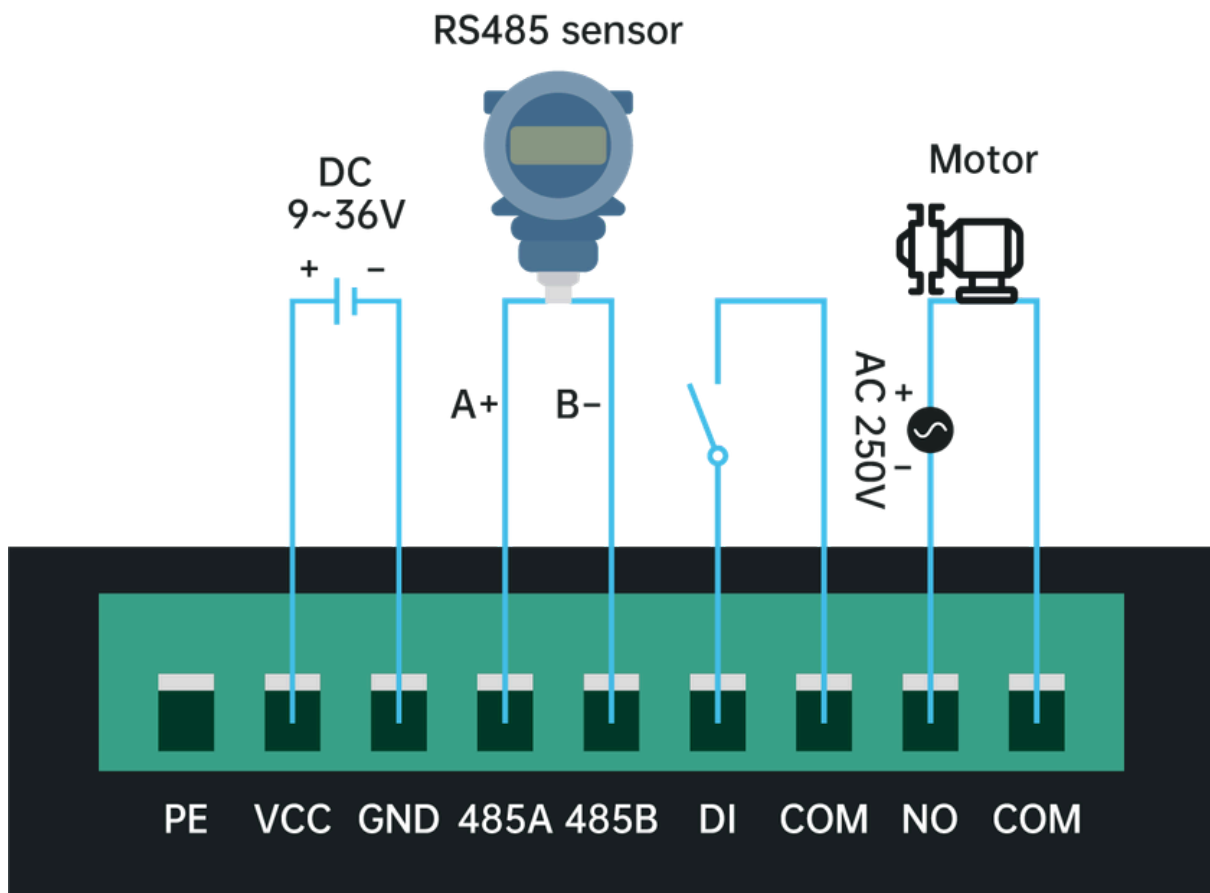


ER5000 Interface Identification-3



ER5000 Interface Identification-4

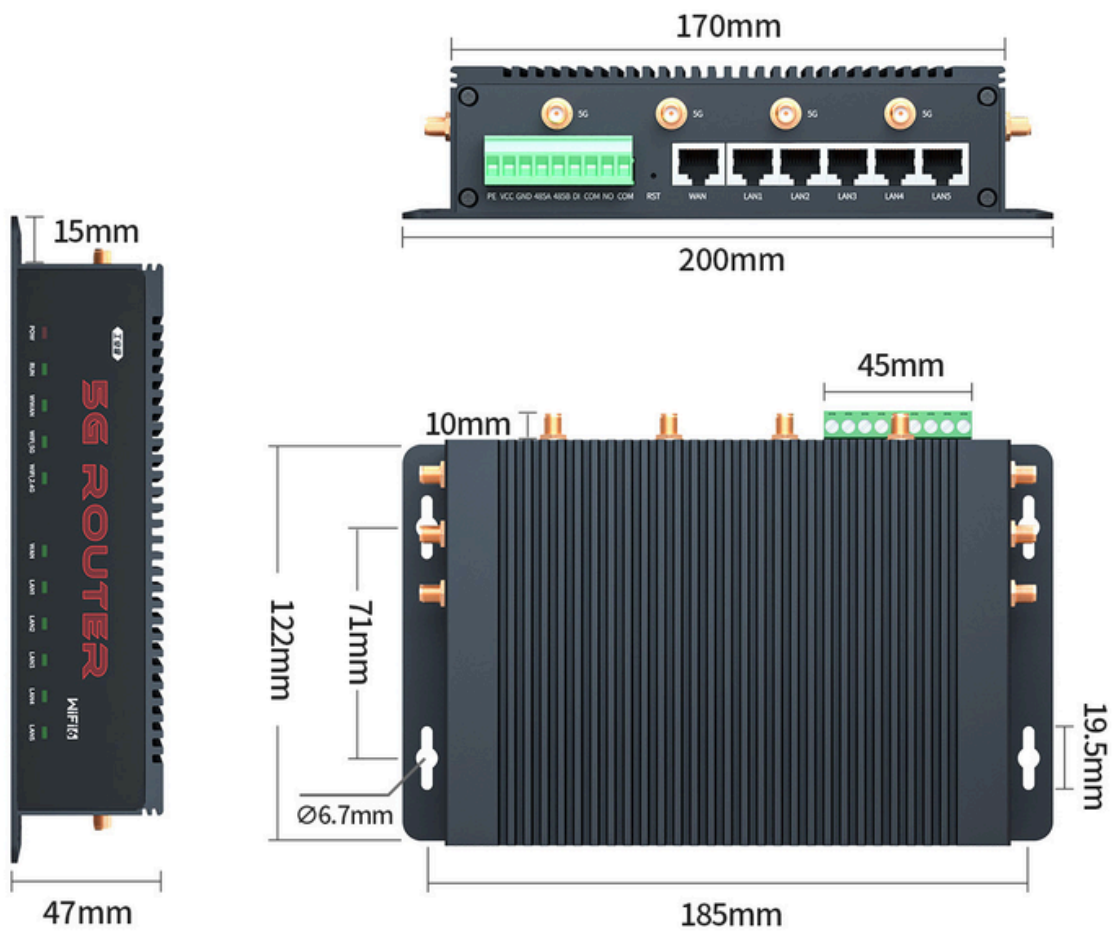
Wiring Instruction



ER5000

Power & Serial port & DI & DO Wiring Diagram

Installation Instruction



Product Size

A LEADING PROVIDER OF INTEGRATED IT AND OT PRODUCTS

Address :

170 Bishan St. 13, #03-69 Block 170, Singapore
570170

Website :

www.devanture.com.sg

Mail

kawshol@devanture.com.sg

